

DATASIGN-UTE-SKID

VMS-A MESSAGE SIGN WITH ARROW BOARD



The DATASIGN-UTE-SKID is designed and manufactured by Data Signs Australia. It is designed to be placed on or off the back of a UTE Tray Truck easily by using a forklift.

The SKID is fitted with an A size VMS Sign as either an Amber only or 5-Colour.

Further a B size Arrow sign can be fitted to this assembly.

Installation and operation could not be easier than a 12V supply from the Ute or with an auxiliary 12V Battery.

Control for the Arrow and programming for the VMS Sign is done via a Bluetooth device, NO WIRING NEEDED!

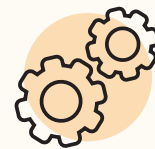
Optional, GPS Tracking and programming options can be via the DS-Live platform



**Sustainable
Renewable
Eco Friendly**



**Proven
Reliability**



**Latest
Technology**



**Dependable
Service and
Support**



Data Signs
AUSTRALIA
Since 1976



datasigns.com

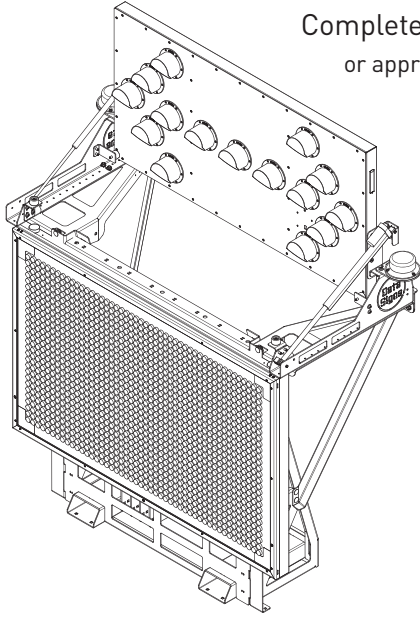


1300 850 785

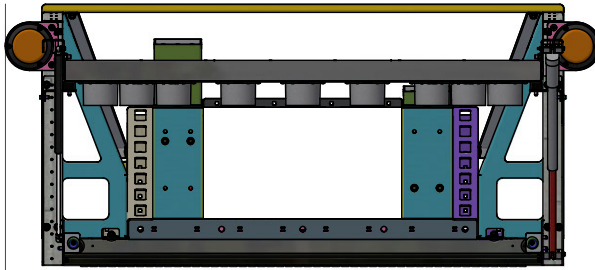


DATASIGN-UTE-SKID

Complete assembly weight = 160Kg
or approximately 100Kg if VMS only



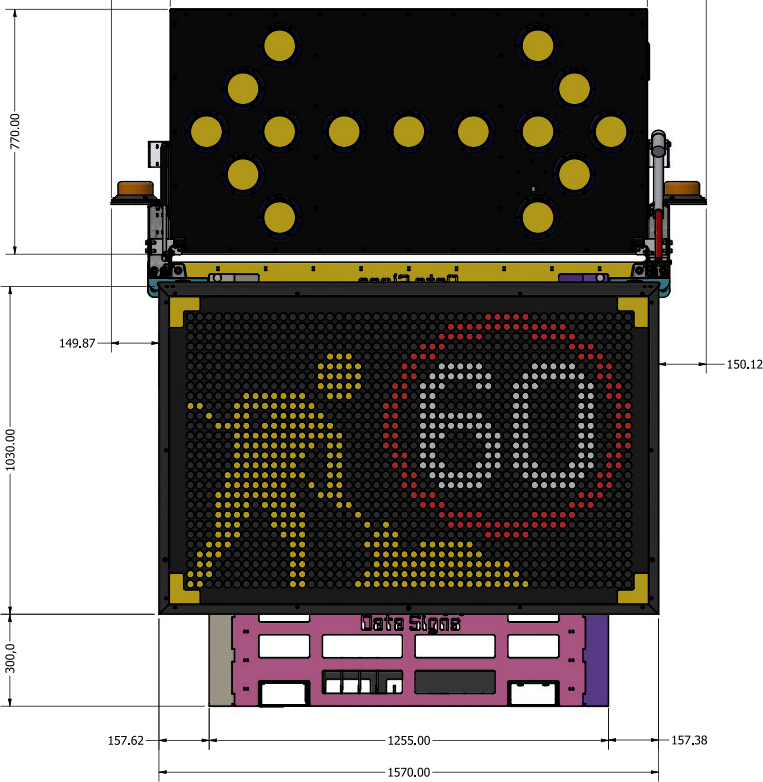
OPTIONAL
DOUBLE-SIDED
ARROW



1870.00

1870.00

1500.00



770.00

149.87

150.12

1030.00

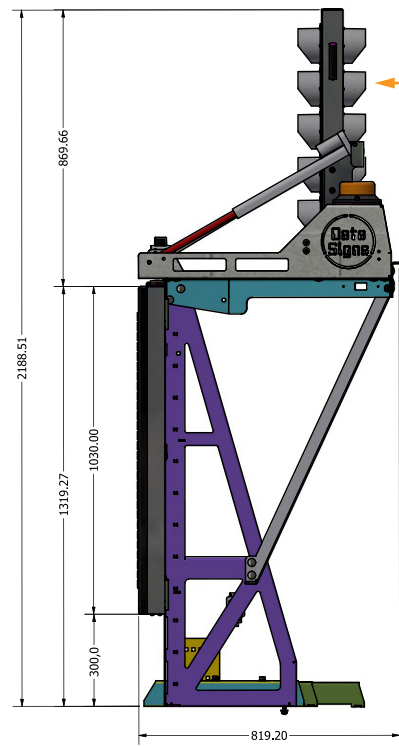
300.0

157.62

1255.00

157.38

1570.00



865.66

2188.51

1319.27

300.0

819.20



Data Signs
AUSTRALIA

Since 1976



datasigns.com



1300 850 785

